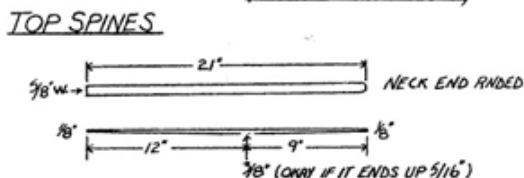
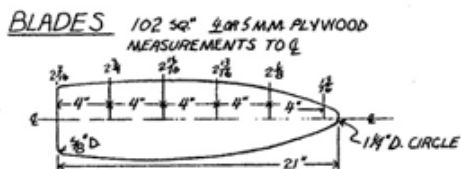
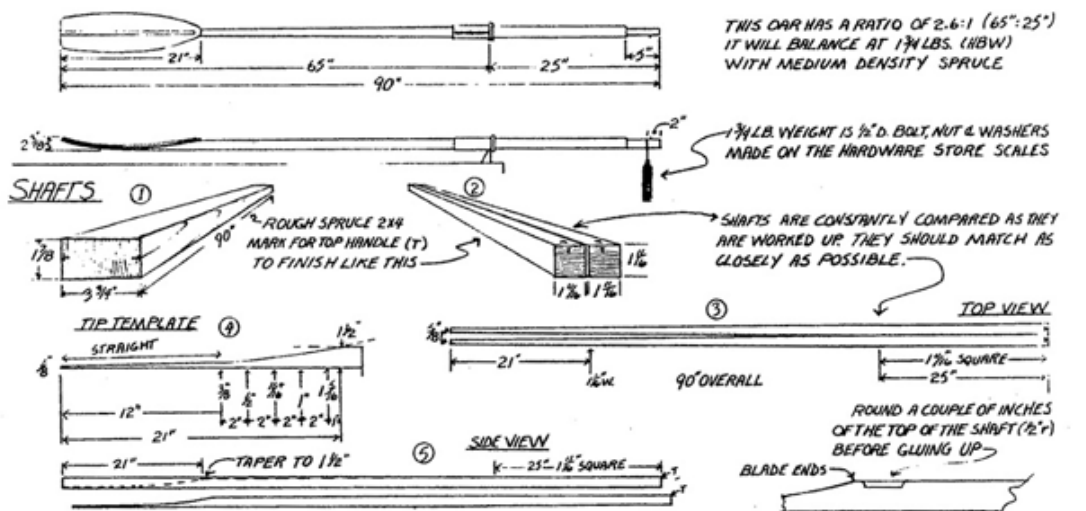


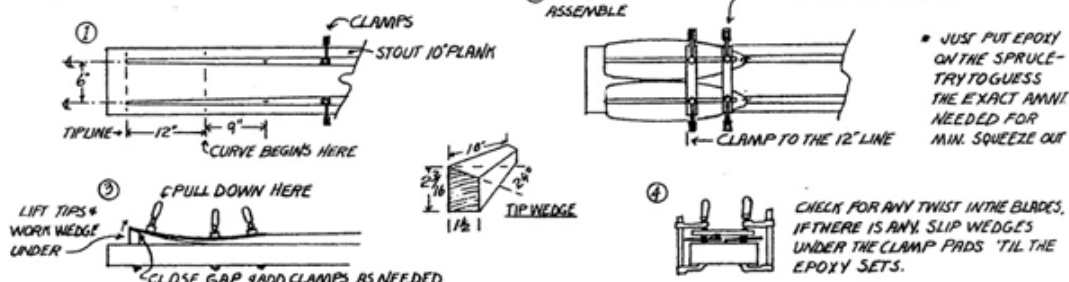
7' 6" PLEASURE OAR

For Rowers 120 - 190 lbs.

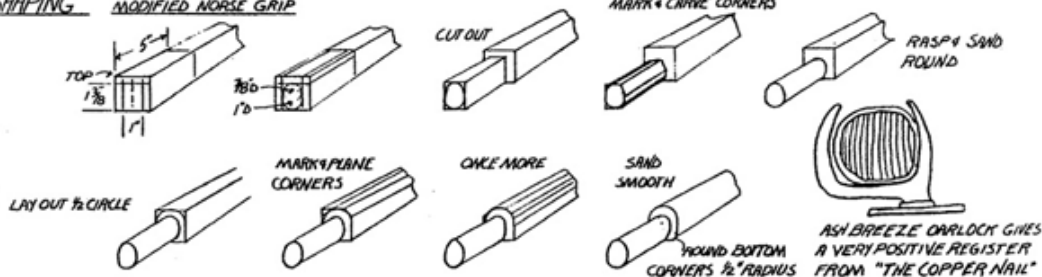
Targets: Maximum weight 2-1/2 lbs., Maximum H.B.W. 1-3/4 lbs. at 25"



GLUING UP TEST CLAMP THE FIRST TIME



SHAPING MODIFIED NOSE GRIP



John DeLapp email: jedelapp@mac.com